

Take back Control with RISC-V

Jimmy Le Rhun
Thales cortAix Labs
RISC-V in Space 2025

www.thalesgroup.com



Thales group Overview

Space

Avionics

Defense

Communication

Cyber Security



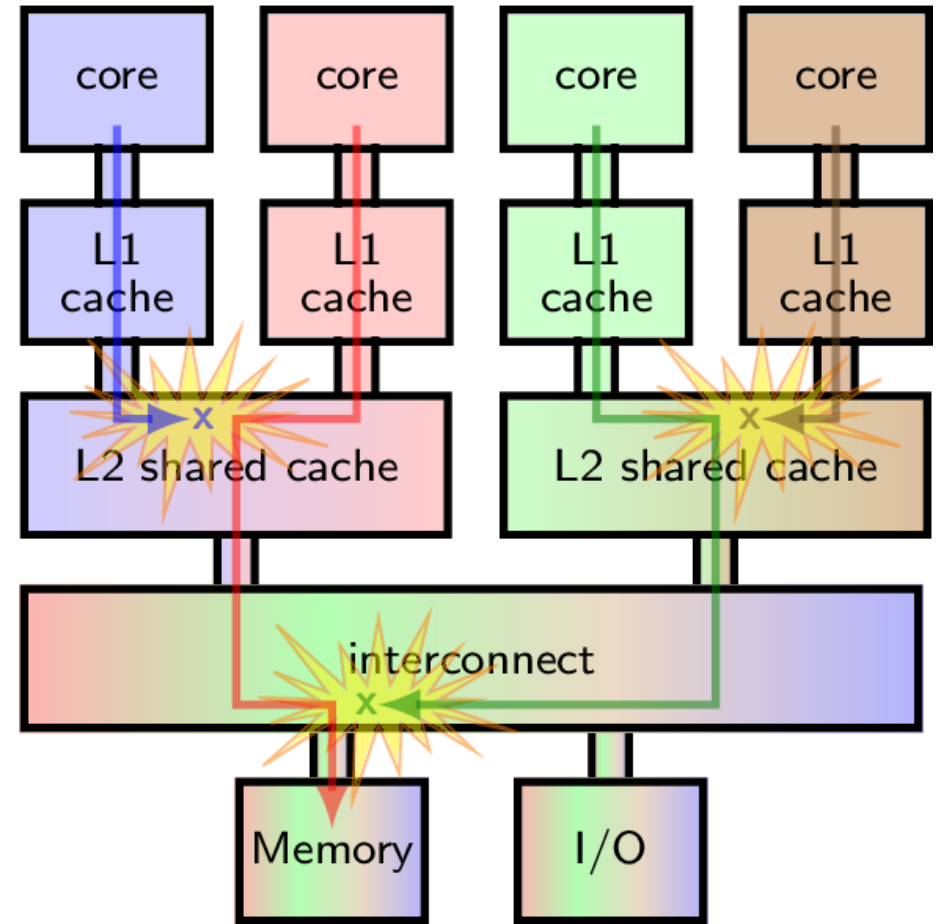
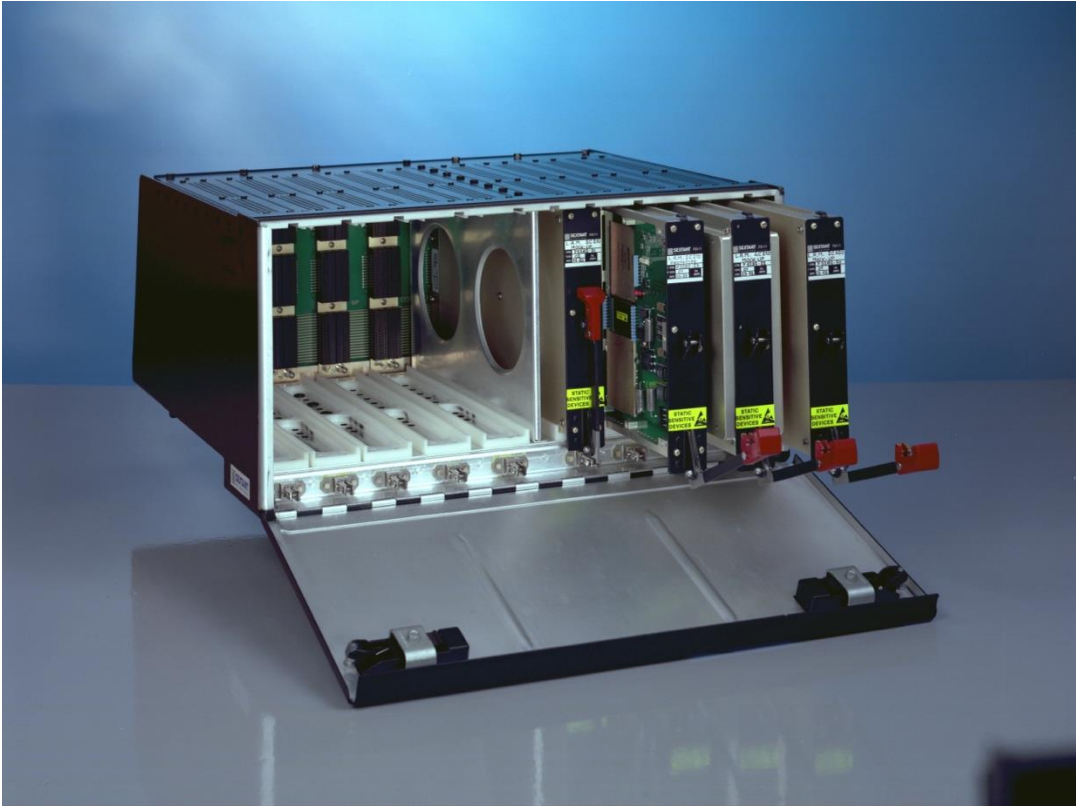
A little story



Take back control

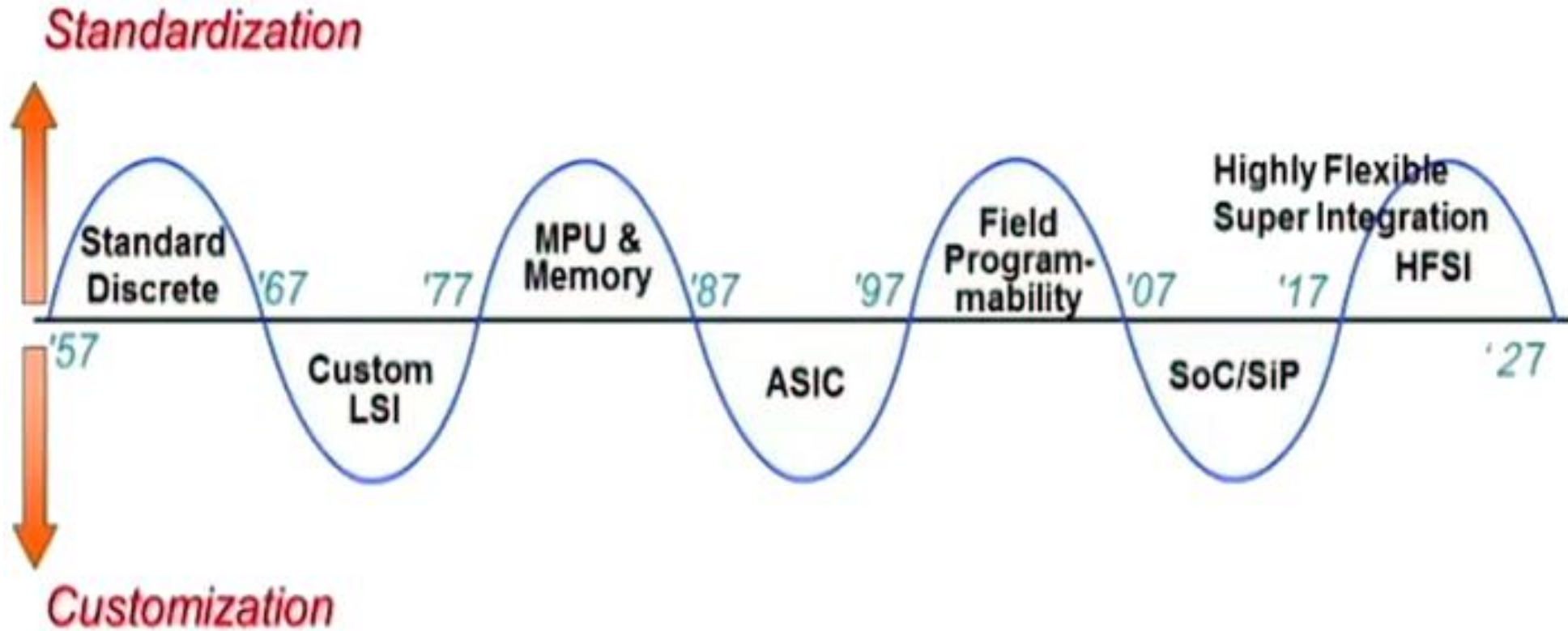


Critical embedded constraints



Customization

Makimoto Wave



Software compatibility and interoperability



Standardization



One specification



Many implementations



Design trustworthiness





open source hardware

Digital sovereignty



Education and hiring

> RISC-V student contest

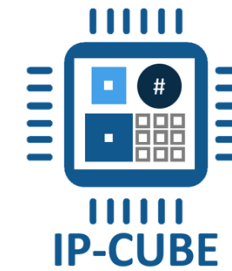


Alvaro Scarramberg
Rogério Kaciava Bombardelli
Joaquin Opazo Yentzen
encadrés par
Stefan Weithoffer, Yehya Nasser,
Ali Al Ghouwayel et Amer Baghdadi



Research activities at cortAlx Labs

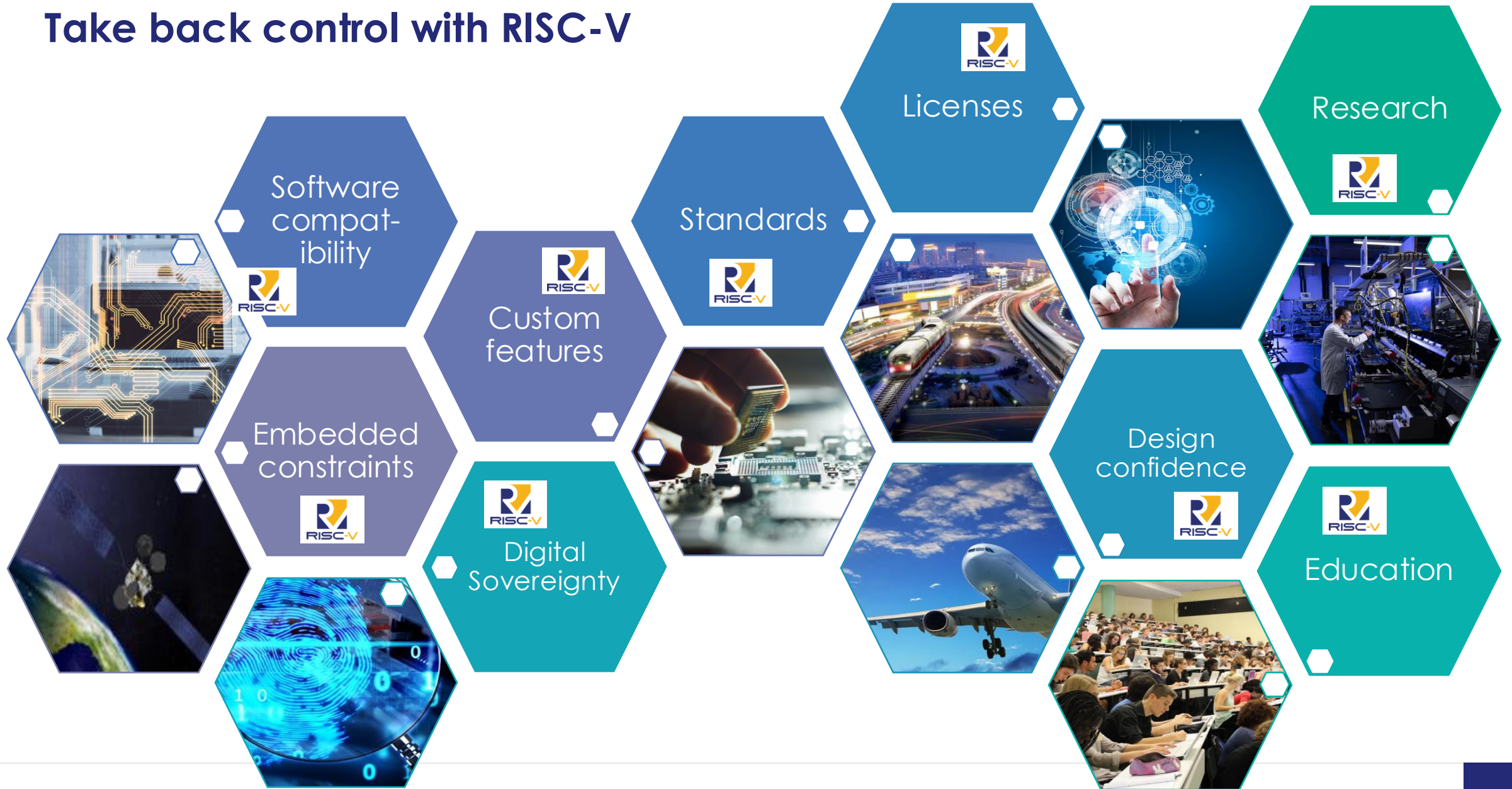
neurSoC



Take back control



Take back control with RISC-V



THALES
Building a future we can all trust

Thanks for your attention !

cortAix

／ Labs

www.thalesgroup.com